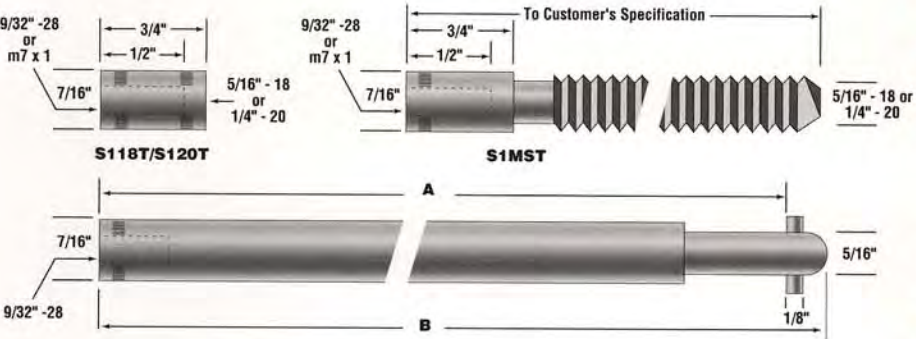


| PART NO. | OUTER DIAMETER | INNER DIAMETER | HEIGHT | FLATS | MATERIAL | FINISH |
|----------|----------------|----------------|---------|-------|----------------|--------|
| S821S | 1-1/8" | 3/4" | 1/8" | 2 | Steel | Nickel |
| S823S | 1-1/16" | 3/4" | 1/8" | 0 | Steel | Nickel |
| S824S | 7/8" | 3/4" | 1/8" | 0 | Steel | Nickel |
| S822S | 1-1/8" | 3/4" | 1-1/16" | 2 | Steel | Nickel |
| S825S-HS | 1-3/16" | 3/4" | 1/4" | 0 | Hardened Steel | Chrome |
| S826S | 1-3/16" | 3/4" | 3/8" | 0 | Brass | Chrome |



| PART NO. | "A" DIMENSION | "B" DIMENSION |
|--------------|---------------|---------------|
| S112T | 4-3/4" | 5" |
| S121T | 8-3/16" | 8-7/16" |
| S130T | 11-1/2" | 11-5/8" |
| (See Insert) | 12-5/16" | 13-5/8" |

Shaft can be used for both lengths.



S130T (11-1/2" OR 12-5/16")

Lock America measures primarily in millimeters (1" = 25.4mm) • All locks shown at approximate actual size.