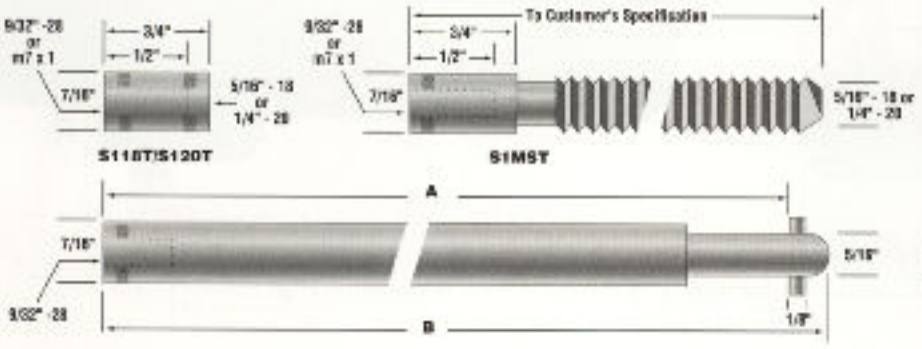


PART NO.	OUTER DIAMETER	INNER DIAMETER	HEIGHT	FLATS	MATERIAL	FINISH
98215	1-1/8"	3/4"	1/4"	2	Steel	Nickel
98235	1-1/16"	3/4"	1/8"	0	Steel	Nickel
98245	7/8"	3/4"	1/8"	0	Steel	Nickel
98225	1-1/8"	3/4"	1-1/16"	2	Steel	Nickel
98255	1-3/16"	3/4"	1/4"	0	Hardened Steel	Chrome
98265	1-3/16"	3/4"	3/8"	0	Brass	Chrome



PART NO.	"A" DIMENSION	"B" DIMENSION
S112T	4-3/4"	5"
S121T	8-3/16"	8-7/16"
S130T	11-1/2"	11-5/8"
(See Insert)	12-5/16"	13-5/8"



Lock America measures primarily in millimeters (1" = 25.4mm) • All locks shown at approximate actual size.